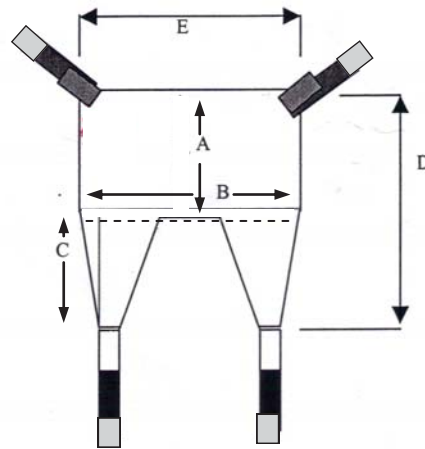


GENERAL PURPOSE SLING
21111—21241



MEASUREMENTS

Shoulder Straps— Length from material of sling 150 250 350

Leg Straps — Length from material of sling 200 350 500

	XXSmall	XSmall	Small	Medium	Large	Extra Large
A	44	48	53	57	65	68
B	84	91	104	108	118	124
C	43	43	46	60	70	72
D	87	91	99	117	135	140
E	65	69	74	84	87	98



IMPORTANT NOTICE TO PURCHASER: The following is made in lieu of all warranties, expressed or implied. Seller's and manufacturers only obligation shall be to replace such quantity of the product proved to be defective. Neither seller nor manufacturer shall be liable for any injury, loss or damage, direct, indirect or consequential arising out of the inability to use this product. Before using, user shall determine the suitability of the product for the intended use, and user assumes all risk and liability whatsoever in connection therewith. No statement or recommendation not contained herein shall have any force affect unless in agreement signed by officers of seller and manufacturer. All Tech-Assist Products are designed to assist nurses and patients. The patients nursing care should never be neglected, and when Tech-Assist Products are in use, continual assessment should be carried out to ensure the products are still appropriate for the patients condition. Regular maintenance inspection is necessary, and damaged items should be withdrawn from use until rectified.

Unit 2/5 Keele Place
 KIDMAN PARK, SA 5025
 Ph 08 82352200 Fax 08 83533200
 sales@tech-assist.com.au

TECH-ASSIST PRODUCTS
 www.tech-assist.com.au