

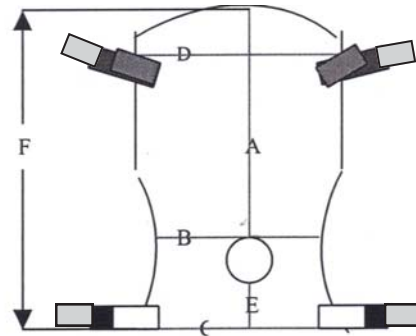
AMPUTEE SLING

22021—22121

MEASUREMENTS

Shoulder Straps— Length 150 250 350
from material of sling

Leg Straps — Length 250 400 550
from material of sling



	Small	Medium	Large	Extra Large
A	75	80	90	95
B	60	65	70	75
C	70	75	80	85
D	55	65	75	85
E	26	26	26	26
F	125	130	140	145

AMPUTEE SLING WITH HEAD SUPPORT

22521-22221

Shoulder Straps— Length 150 250 350
from material of sling

Leg Straps — Length 250 400 550
from material of sling

	Small	Medium	Large	Extra Large
A	85	90	105	115
B	60	65	70	75
C	70	75	80	85
D	55	65	75	85
E	26	26	26	26
F	135	140	155	165



IMPORTANT NOTICE TO PURCHASER: The following is made in lieu of all warranties, expressed or implied. Seller's and manufacturers only obligation shall be to replace such quantity of the product proved to be defective. Neither seller nor manufacturer shall be liable for any injury, loss or damage, direct, indirect or consequential arising out of the inability to use this product. Before using, user shall determine the suitability of the product for the intended use, and user assumes all risk and liability whatsoever in connection therewith. No statement or recommendation not contained herein shall have any force affect unless in agreement signed by officers of seller and manufacturer. All Tech-Assist Products are designed to assist nurses and patients. The patients nursing care should never be neglected, and when Tech-Assist Products are in use, continual assessment should be carried out to ensure the products are still appropriate for the patients condition. Regular maintenance inspection is necessary, and damaged items should be withdrawn from use until rectified.

Unit 2/5 Keele Place
KIDMAN PARK, SA 5025
Ph 08 82352200 Fax 08 83533200
sales@tech-assist.com.au

TECH-ASSIST PRODUCTS
www.tech-assist.com.au